

全国免费服务热线  
National free service hotline

400-621-1816

中城工业集团有限公司  
CHINA CITY INDUSTRIAL GROUP CO.,LTD

申龙电梯股份有限公司  
SELOON ELEVATOR CO.,LTD

中国·苏州汾湖高新技术产业开发区申龙路55号  
No.55, Shenlong Road, Fenhu Hi-tech Industrial  
Development Zone, Suzhou, China

电话/Tel: 400-621-1816 0512-6329 3966  
传真/Fax: 0512-6329 0163  
网站/Web: www.seloon.com.cn

2023年08月版

本书为一般信息类出版物，我们保留随时更改产品设计和说明的权利。  
本书的任何字句，无论其字面意思或含义，对于任何产品及产品的用途和质量，或者任何向销售商条款的表述与更改均不承担任何责任。  
由于印刷工艺的限制，实际加工的颜色可能与本册略有不同之处，最终造型可根据实际材料和色样决定。  
It is an ordinary information publication. We keep the right of alter the product design and description at any time.  
If there is any dispute out of the literal meaning of any product description, use or quality, the description and alteration of any sales contract, our company  
will not bear any responsibilities therefrom.  
Because of the restriction of the printing technology if there is any slight difference between the actually machining color and that from this pamphlet, please  
take the actual material and color sample as the criterion.



敬请关注申龙电梯

 中城工业集团有限公司  
SELOON 申龙电梯股份有限公司

MACHINE ROOMLESS  
ELEVATOR SERIES  
无机房电梯系列







超级工厂将为民族制造业提供全新的生态环境。项目规划面积近766亩，可利用面积约679亩，总建筑面积约100万平方米，总投资100亿元，一期于2022年10月10日封顶。

超级工厂建有298米超高试验塔，助力高速梯研发，同时拥有共享测试与检测中心、智能车间、核心部件共享智造中心、柔性智造中心、智能升降系统长三角机电研究院、共享销售展示中心、会议中心、在线运营及数据中心、部件云仓、员工中心及配套服务中心等功能建筑。

申龙电梯股份有限公司创建于1992年，是一家集设计、制造、销售、安装、服务于一体的现代化专业电梯生产企业，产品涵盖各类电梯、自动扶梯、自动人行道和电梯部件，是中国电梯协会理事单位。2019年初，公司与中车城市交通有限公司（现已更名中城工业集团有限公司）产业重组，成为其控股子公司。

公司位于长三角生态绿色一体化发展示范区，距上海虹桥机场45公里。公司拥有现代化的厂房、世界先进的生产设备、完善的产品研发试验检测系统以及专业的设计安装服务团队。

公司在发展中注重自主研发、不断创新。2009年，公司与苏州科技大学合作，成立了电梯工程技术研究中心；与南京航空航天大学合作，建立产学研基地，成立省级新型高速电梯工程技术研究中心。2012年，公司安装了自主研发的8米/秒的高速电梯和提升高度48米的大高度扶梯，充分展现了雄厚的技术实力。2015年，公司与国家电梯质量监督检测中心（广东）联合成立电梯节能技术联合研究中心，致力于节能电梯的研发、推广，通过了行业能效等级认证VDI 4707标准的A级认证。2017年，公司成立国家级企业博士后科研工作站，推动电梯技术创新，提升企业核心竞争力。

公司在国内主要省市建立了系统的营销服务网络。目前，产品不仅成功销往全国31个省、市、自治区，更是远销五十多个国家和地区，主要分布在南美、东欧、中东、东南亚等区域。

公司获得一系列资质和荣誉：国家级高新技术企业、中国电梯制造商10强、政府采购电梯十佳供应商、江苏省专精特新中小企业、智能工业示范企业、CNAS实验室认可、ISO9001认证、ISO14001认证、ISO45001认证、欧洲CE认证、俄罗斯GOST认证、绿色节能环保品牌、中国质量服务信誉AAA级示范单位等。

积极吸纳国际先进技术，努力打造优秀民族品牌。申龙电梯正满怀信心与您携手开创更加辉煌的未来。

## 专业电梯 综合解决方案供应商

127米试验塔

8米/秒高速电梯

48米大高度扶梯

Founded in 1992, SELOON Elevator Co., Ltd. is a modern and professional elevator manufacturer who covers design, manufacturing, sales, installation and service. SELOON is the Director Unit of China Elevator Association with product covers all kinds of elevators, escalators, moving walks and elevator components. At the beginning of 2019, SELOON restructured with CRRC URBAN TRAFFIC CO., LTD. and became its holding subsidiary company. The company is located in the core area of the Yangtze River Delta, 45 kilometers away from Shanghai Hongqiao Airport. SELOON has a modern factory, world advanced production equipment, perfect product R & D test system and professional design and installation service team.

During the development, the company pays attention to independent R & D and continuous innovation. In 2009, the company cooperated with Suzhou University of science and technology to establish the elevator engineering technology research center; cooperated with Nanjing University of Aeronautics and Astronautics to establish the industry university research base and establish the provincial new high-speed elevator engineering technology research center. In 2012, the company installed a self-developed 8 m / s high-speed elevator and a 48 m high escalator, fully demonstrating its strong technical strength. In 2015, the company and the National Elevator Quality Supervision and Testing Center (Guangdong) jointly established the elevator energy saving technology joint research center, which is committed to the R & D and promotion of energy-saving elevators, and has passed the A-level certification of VDI 4707 standard. In 2017, the company established a national enterprise post-doctoral research workstation to promote elevator technology innovation and enhance the core competitiveness of the enterprise.

The company has established a systematic marketing service network in major provinces and cities in China. At present, the products are not only successfully sold to 31 provinces, cities and autonomous regions, but also exported to more than 50 countries and regions, mainly distributed in South America, Eastern Europe, the Middle East, Southeast Asia and other regions.

What's more, the company has obtained a series of qualifications and honors: National High-tech Enterprises, Top 10 Chinese Elevator Manufacturers, Top 10 Government Procurement Elevator Suppliers, Jiangsu High-tech Products, Intelligent Industry Demonstration Enterprises, ISO9001 Certification, ISO14001 Certification, ISO45001 Certification, European CE Certification, Russian Gost Certification, Green Energy Conservation and Environmental Protection Brand, AAA Level Demonstration Units of China's Quality Service Reputation and so on.

Actively absorb international advanced technology, and strive to build an excellent national brand. SELOON is full of confidence to work with you to create a more brilliant future.





## 优越性能

The advantageous performances

- 1、领先技术、安全可靠。申龙无机房电梯运用先进的技术开发了专用集成紧急停电自动平层装置，当系统停电或电梯急停时，此装置系统即可自动慢速运行到平层位置。申龙电梯限速器响应时间足够短，提拉力可靠，多重保护以及双向限速等功能保证了电梯的安全可靠。
- 2、绿色环保，免维护，因用永磁同步电机设计的曳引机的固有特点及编码器的高精度配套，使系统无需维护。
- 3、无需机房，节省建筑成本，缩短基建工期。
- 4、适用于顶层不宜设置机房的建筑物，相对于液压电梯来说，电机功率减少60%，节电70%。
- 5、有利于建筑物改造，可从较方便的现有建筑物中增加电梯而不影响原有建筑风貌。
- 6、由于不受屋顶机房的限制，建筑师可以自由的设计，设计成富有民族特色和时代气息的屋顶造型，也可以将屋顶设计成家庭或休闲场所。

- 1.The company owns the leading technology,the safe and reliable products. SELOON machine room-less lift applies the advanced techniques tidevelop the special-purpose integrated emergency interruption to the system or the lift emergently stops,the device system can slowly and automatically travel to the leveling position.SELOON lift speed limiter has enough short responsive period and etc.which ensure the secure and reliable features of the elevators.
- 2.The products are free from maintenace with green environmental protection.The system needs no maintenace because of the conveyance of the programmer designed by permanent magnet synchronous motor.
- 3.It needs no machine room,saves the building cost and shortens the construction time.
- 4.It suits the buidlings that are inappropriate to install the machine rooms in the roofs.Compared with the hydraulic lift,our lifts save 60% of motor power and 70% of electricity.
- 5.It is beneficial for the construction transformation.It is convenient to add the lift in the current constructions without influencing the original building features.
- 6.As the lift is not restricted by the roof machine room,the constructors can the times flavor. The roofs can also be designed as the courtyards dor leisure occasions as well.

## 产品概述

Product summary

无机房电梯是新世纪电梯的标志，是垂直运输业新技术革命。它的高效节能（节能40%）、低噪音、运行更加舒适和降低土建成本等特别是不受土建井道的限制已是其主要特点，因此深受用户的青睐。

申龙无机房电梯是目前较先进的无机房电梯产品，采用先进技术，无论采用的主机还是控制技术及电梯结构均为目前较高技术水平。

无机房电梯井道面积小、顶层高度低，设计施工简单，土建成本低，为用户节省综合成本。

Machine room-less lift is a symbol of the new century elevators and new-tech revolution of vertical transportation.It mainly features as effective and energy-saving,low noise,the more comfortable travel etc.It can reduce the building cost.It is not restricted by the construction well.Therefore Machine room-less lift is well-received by vast users.

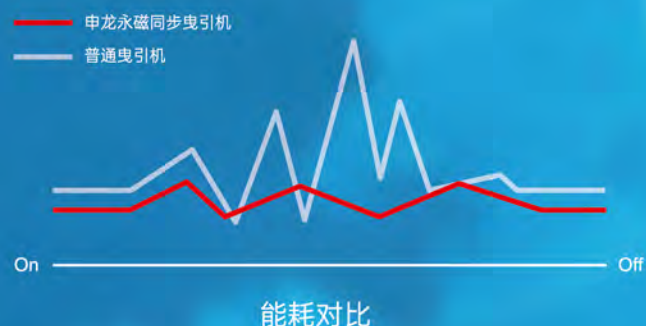
At present,SELOON machine room-less lift is an advanced machine room-less lift product.It completely applies the currently advanced technology in the world.It is always in the domestically leading level in the aspects of the dispatcher,control technology and elevator structure.

Machine room-less lift has small well area,low top height,simple design and construction,low building cost.It saves the comprehensive cost for broad users.



# 澎湃动力 宁静表现

新一代永磁同步无齿轮曳引机



永磁同步无齿轮曳引机  
Permanent magnet synchronous  
and gearless traction machine



远程释放限速器  
Long-distance release  
speed limiter

# Leading technology guides green times

领先科技 引领绿色时代

## 智能控制系统

Intelligent control system

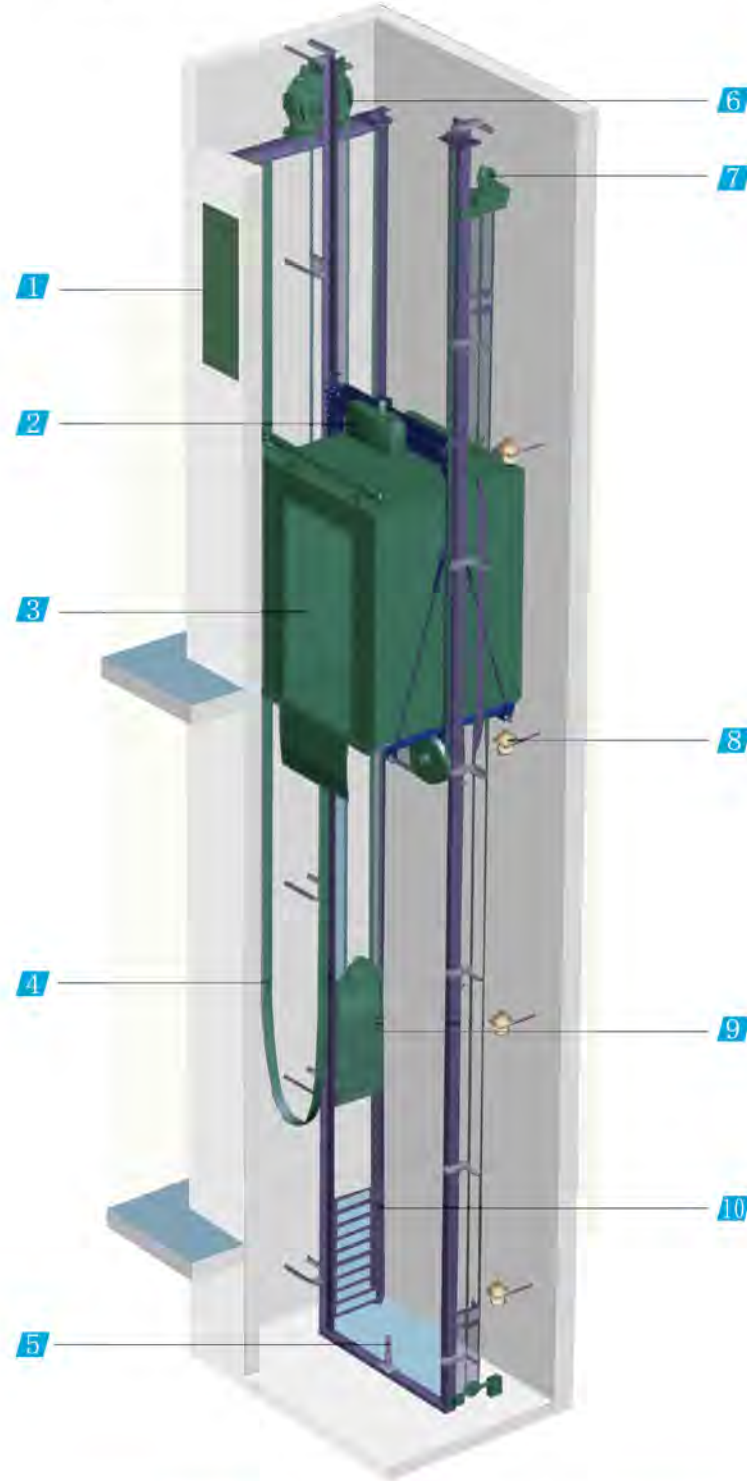
- 以距离控制为原则的直接停靠技术，N条曲线自动生成，快捷舒适;
  - 支持多种编码器下的无称重启动技术，提供平顺的启动效果;
  - 高性能矢量控制技术，充分发挥电机性能给与最佳的舒适感;
  - 易于记忆的功能参数设计，可在轿厢内调整参数，方便调试;
  - 多种调试工具可供选择：小键盘、操作面板、液晶操作器、上位机监控软件；
  - 硬件、软件的容错设计，故障信号的高优先响应处理，提高安全系数;
  - 内置实时时钟，提供多种分时服务功能，方便实现楼宇智能管理;
  - 控制柜可以满足EMC要求，电磁兼容性能更强。
- 
- Direct docking technology based on the principle of distance control automatically generate curve in a fast and comfortable way;
  - Supporting no weighing starting technology under multiple encoders and providing smooth starts;
  - High performance vector control technology make full use of themotor performance and provides better comfortable sensation;
  - Functional parameters design is easy to memorize and could beadjusted in the car for more convenient debugging;
  - A variety of debugging tools for selection:small keyboard,operationpanel,LCD controller and PC monitoring software;
  - Hardware and software fault tolerance design and high priorityresponseof fault signal improve the safety factor;
  - Built in real-time clock, providing a wide range of svice funtionsto faitatetr the relizton of ieligentn building management;
  - Control cabinet passes EMC certification with the more powerful electro-magnetic compatibility.





# 申龙无机房电梯示意图

SELOON conceptual diagram to machine roomless elevator



1.控制柜  
Control cabinet

2.轿顶检修装置  
Car top inspection device

3.轿厢  
Car

4.随行电缆  
Traveling cable

5.轿厢缓冲器  
Car buffer

6.曳引机  
Traction machine

7.限速器  
Governor

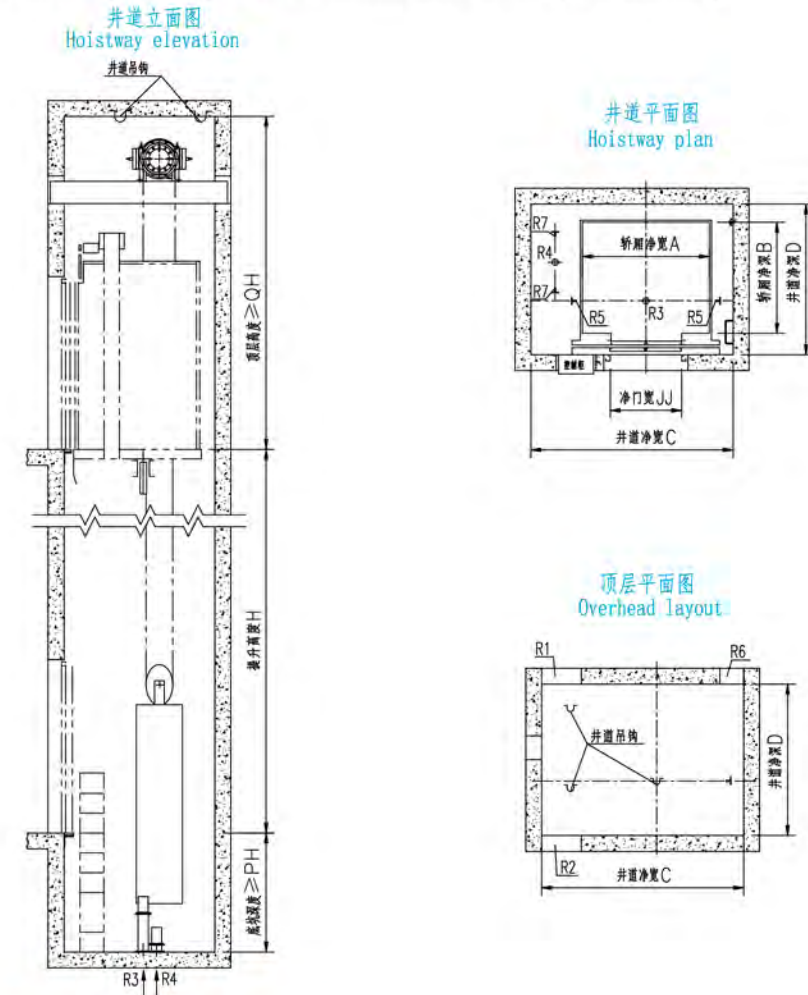
8.井道照明  
Well lighting

9.对重装置  
Counterweight device

10.底坑防护栏  
Pit protection railing

# 无机房客梯土建图

Machine roomless passenger elevator construction layout drawing



# 无机房客梯土建参数表

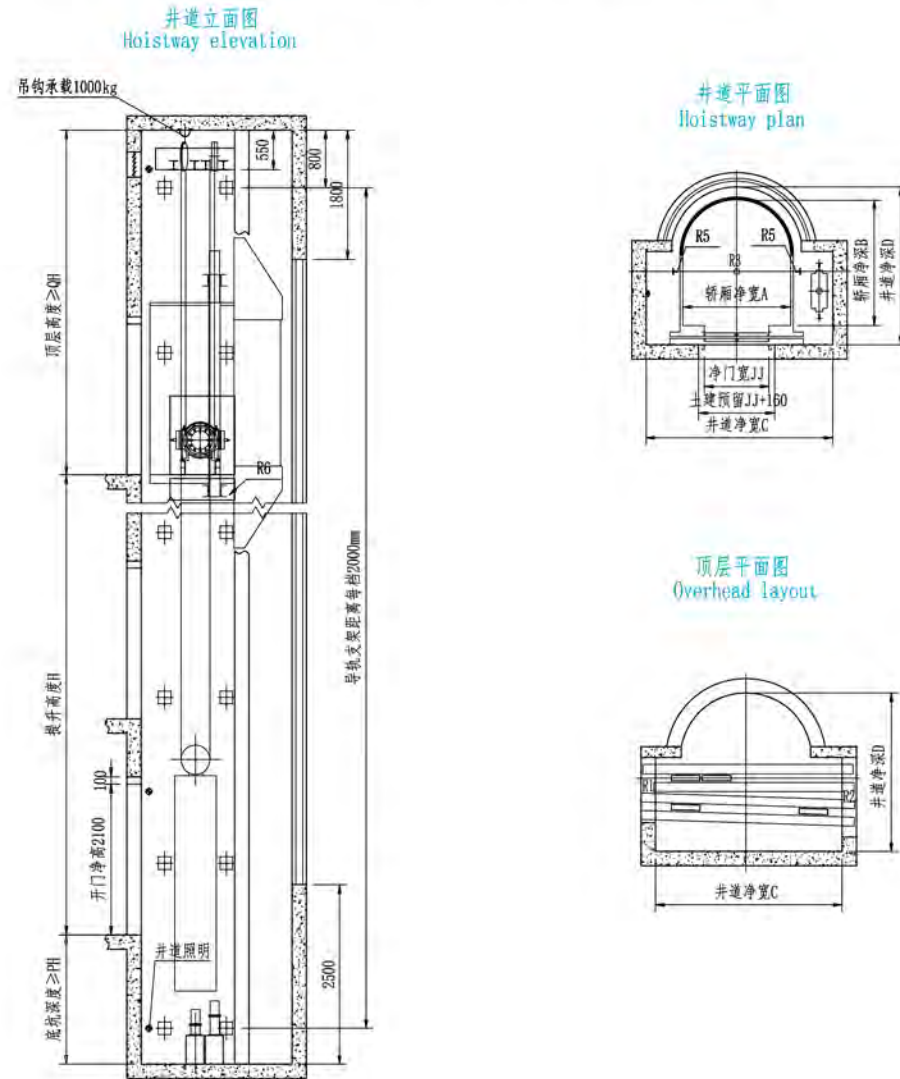
Machine roomless passenger elevator construction parameter list

产品名称 Product name	型号 Model	额定载重量 Rated carrying (kg)	额定载客数 Rated passenger load (人)	额定速度 Rated speed (m/s)	轿厢尺寸 Car size (宽A×深B) (WidthA×depthB) (mm)	开门宽度J Door open width (mm)	井道尺寸 Hoistway size (宽C×深D) (WidthC×depthD) (mm)	底坑深度 PH Pit depth (mm)	顶层高 QH Top height (mm)	作用力 Force (kN)						
										R1	R2	R3	R4	R5	R6	R7
无机房客梯	TKJW	630	8	1.0	1100x1400	800	2050x1900	1500/1700	4200/4300	30	25	65	53	15	/	5
无机房客梯	TKJW	630	8	1.5	1100x1400	800	2050x1900	1700	4300	30	25	65	53	15	/	5
无机房客梯	TKJW	630	8	1.75	1100x1400	800	2050x1900	1800	4300	30	25	65	53	15	/	5
无机房客梯	TKJW	800	10	1.0	1350x1400	800	2150x1900	1500/1700	4200/4300	35	30	80	65	17	/	5
无机房客梯	TKJW	800	10	1.5	1350x1400	800	2150x1900	1700	4300	35	30	80	65	17	/	5
无机房客梯	TKJW	800	10	1.75	1350x1400	800	2150x1900	1800	4300	35	30	80	65	17	/	5
无机房客梯	TKJW	1000	13	1.0	1600x1400	900	2400x1900	1700	4300	40	35	96	72	20	/	5
无机房客梯	TKJW	1000	13	1.0	1600x1400	900	2400x2000	1700	4300	40	35	96	72	20	/	5
无机房客梯	TKJW	1000	13	1.5	1600x1400	900	2400x1900	1700	4300	40	35	96	72	20	/	5
无机房客梯	TKJW	1000	13	1.5	1600x1400	900	2400x2000	1700	4300	40	35	96	72	20	/	5
无机房客梯	TKJW	1000	13	1.75	1600x1400	900	2400x1900	1800	4300	40	35	96	72	20	/	5
无机房客梯	TKJW	1000	13	1.75	1600x1400	900	2400x2000	1800	4300	40	35	96	72	20	/	5
无机房客梯	TKJW	1350	18	1.0	1950x1500	1100	3000x2100	1700	4500	50	50	60	88	28	30	5
无机房客梯	TKJW	1350	18	1.5	1950x1500	1100	3000x2100	1800	4600	50	50	60	88	28	30	5
无机房客梯	TKJW	1350	18	1.75	1950x1500	1100	3000x2100	1800	4600	50	50	60	88	28	30	5
无机房客梯	TKJW	1600	21	1.0	1950x1750	1100	3000x2250	1700	4500	56	56	64	100	32	35	5
无机房客梯	TKJW	1600	21	1.5	1950x1750	1100	3000x2250	1800	4600	56	56	64	100	32	35	5
无机房客梯	TKJW	1600	21	1.75	1950x1750	1100	3000x2250	1800	4600	56	56	64	100	32	35	5



### 无机房客梯（观光）土建图

Machine roomless panoramic elevator construction layout drawing



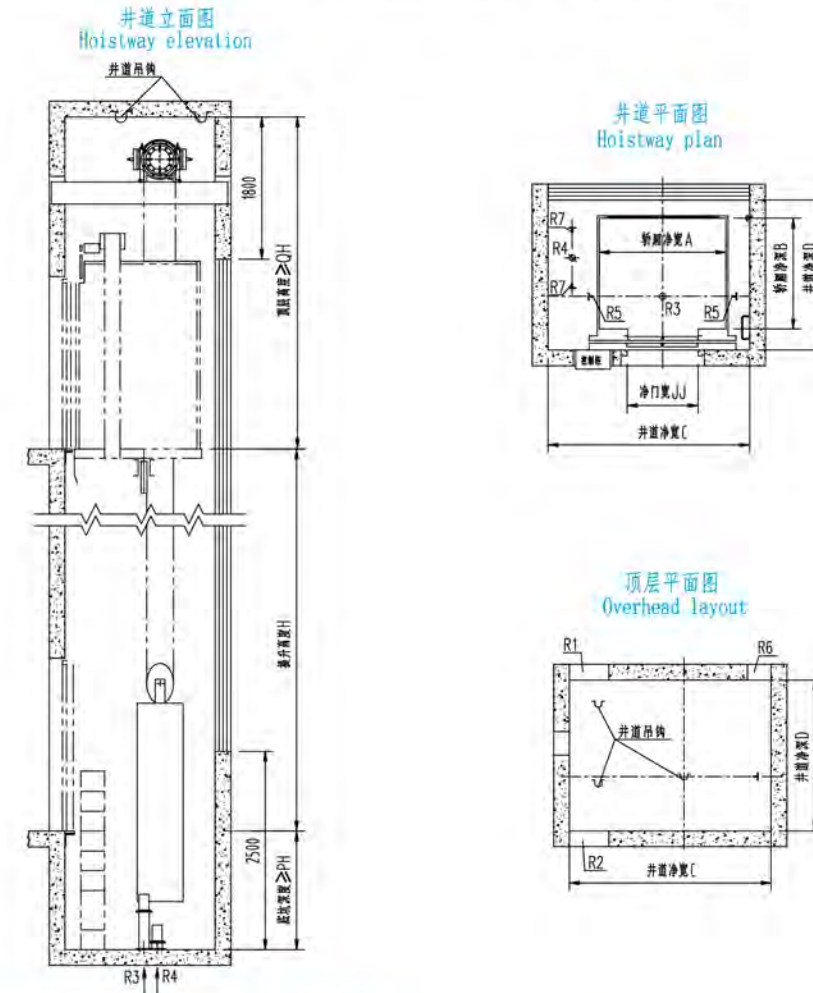
### 无机房客梯（观光）土建参数表

Machine roomless panoramic elevator construction parameter list

产品名称 Product name	型号 Model	额定载重量 Rated carrying (kg)	额定载客数 Rated passenger load (人)	额定速度 Rated speed (m/s)	轿厢尺寸 Car size (宽A×深B) (WidthA×depthB)	开门宽度J Door open width (mm)	井道尺寸 Hoistway size (宽C×深D) (WidthC×depthD)	底坑深度 PH Pit depth (mm)	顶层高 QH Top height (mm)	作用力 Force (kN)						
										R1	R2	R3	R4	R5	R6	
无机房客梯	TGJW	630	8	1.0	1100×1630	800	2450×2150	1800	4800	45	30	70	57	17	38	
无机房客梯	TGJW	630	8	1.75	1100×1630	800	2450×2150	1800	4800	45	30	70	57	17	38	
无机房客梯	TGJW	800	10	1.0	1300×1680	800	2500×2200	1800	4800	50	35	84	68	17	42	
无机房客梯	TGJW	800	10	1.75	1300×1680	800	2500×2200	1800	4800	50	35	84	68	17	42	
无机房客梯	TGJW	1000	13	1.0	1500×1750	900	2600×2200	1800	4800	55	41	100	80	25	48	
无机房客梯	TGJW	1000	13	1.75	1500×1750	900	2600×2200	1800	4800	55	41	100	80	25	48	
无机房客梯	TGJW	1600	21	1.0	1600×2300	1100	2750×2800	1800	4800	80	64	72	112	36	72	
无机房客梯	TGJW	1600	21	1.75	1600×2300	1100	2750×2800	1800	4800	80	64	72	112	36	72	

### 无机房观光电梯土建图

Machine roomless panoramic elevator construction layout drawing



### 无机房观光电梯土建参数表

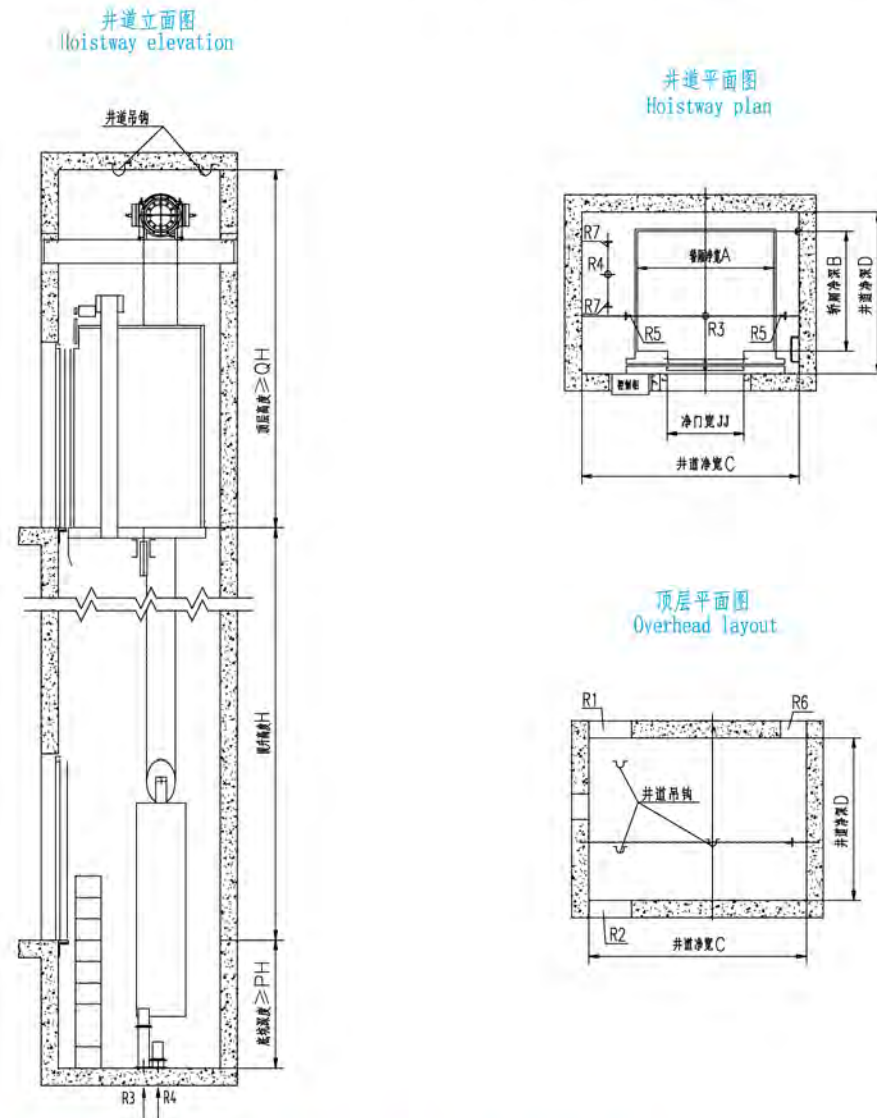
Machine roomless panoramic elevator construction parameter list

产品名称 Product name	型号 Model	额定载重量 Rated carrying (kg)	额定载客数 Rated passenger load (人)	额定速度 Rated speed (m/s)	轿厢尺寸 Car size (宽A×深B) (WidthA×depthB)	开门宽度J Door open width (mm)	井道尺寸 Hoistway size (宽C×深D) (WidthC×depthD)	底坑深度 PH Pit depth (mm)	顶层高 QH Top height (mm)	作用力 Force (kN)						
										R1	R2	R3	R4	R5	R6	R7
观光电梯	TGJW	630	8	1.0	1100x1400	800	2050x1900	1500/1700	4200/4300	30	25	65	53	15	/	5
观光电梯	TGJW	630	8	1.5	1100x1400	800	2050x1900	1700	4300	30	25	65	53	15	/	5
观光电梯	TGJW	630	8	1.75	1100x1400	800	2050x1900	1800	4300	30	25	65	53	15	/	5
观光电梯	TGJW	800	10	1.0	1350x1400	800	2150x1900	1500/1700	4200/4300	35	30	80	65	17	/	5
观光电梯	TGJW	800	10	1.5	1350x1400	800	2150x1900	1700	4300	35	30	80	65	17	/	5
观光电梯	TGJW	800	10	1.75	1350x1400	800	2150x1900	1800	4300	35	30	80	65	17	/	5
观光电梯	TGJW	1000	13	1.0	1600x1400	900	2400x1900	1700	4300	40	35	96	72	20	/	5
观光电梯	TGJW	1000	13	1.0	1600x1400	900	2400x2000	1700	4300	40	35	96	72	20	/	5
观光电梯	TGJW	1000	13	1.5	1600x1400	900	2400x1900	1700	4300	40	35	96	72	20	/	5
观光电梯	TGJW	1000	13	1.5	1600x1400	900	2400x2000	1700	4300	40	35	96	72	20	/	5
观光电梯	TGJW	1000	13	1.75	1600x1400	900	2400x1900	1800	4300	40	35	96	72	20	/	5
观光电梯	TGJW	1000	13	1.75	1600x1400	900	2400x2000	1800	4300	40	35	96	72	20	/	5
观光电梯	TGJW	1350	18	1.0	1950x1500	1100	3000x2100	1700	4500	50	50	60	88	28	30	5
观光电梯	TGJW	1350	18	1.5	1950x1500	1100	3000x2100	1800	4600	50	50	60	88	28	30	5
观光电梯	TGJW	1350	18	1.75	1950x1500	1100	3000x2100	1800	4600	50	50	60	88	28	30	5
观光电梯	TGJW	1600	21	1.0	1950x1750	1100	3000x2250	1700	4500	56	56	64	100	32	35	5
观光电梯	TGJW	1600	21	1.5	1950x1750	1100	3000x2250	1800	4600	56	56	64	100	32	35	5
观光电梯	TGJW	1600	21	1.75	1950x1750	1100	3000x2250	1800	4600	56	56	64	100	32	35	5



### 无机房货梯 (≤1600kg) 土建图

Machine roomless freight elevator construction layout drawing (≤1600kg)



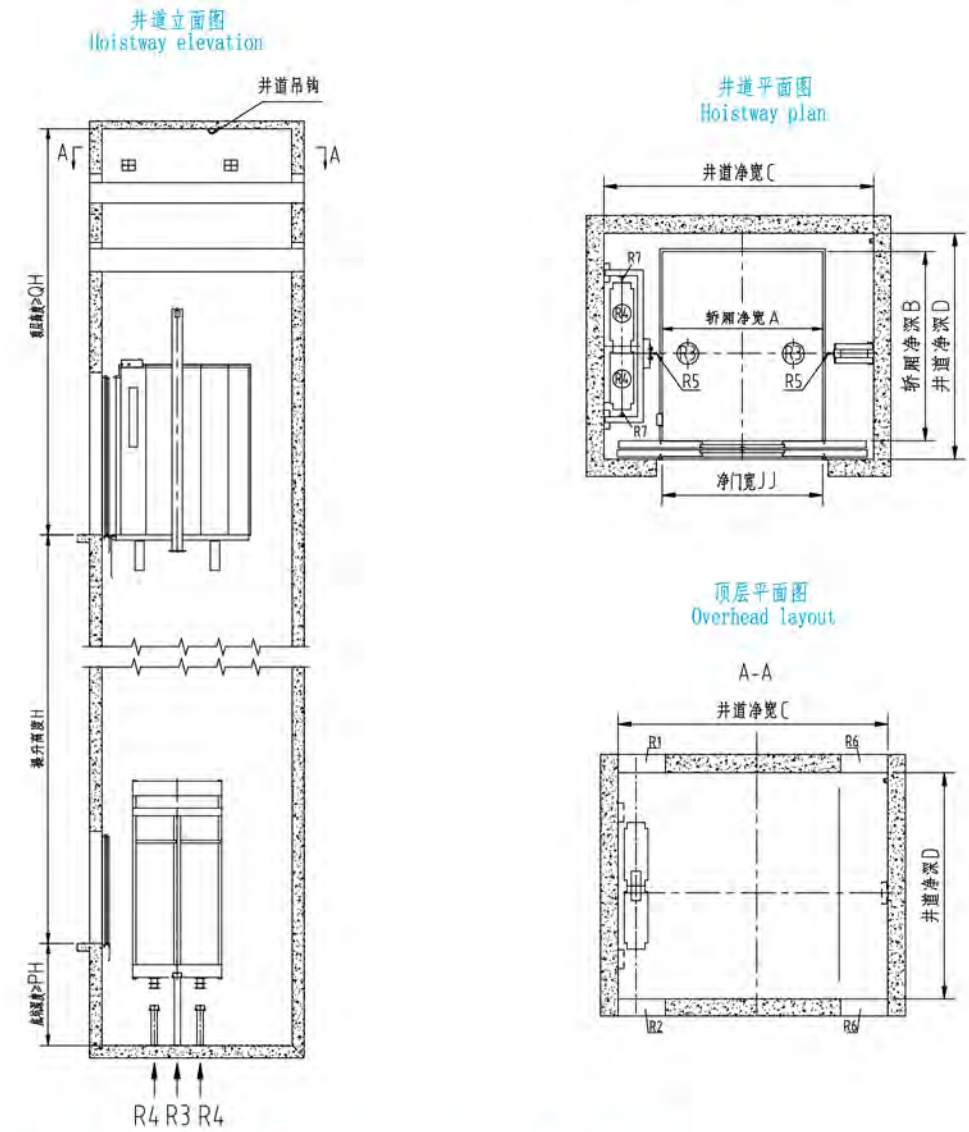
### 无机房货梯 (≤1600kg) 土建参数表

Machine roomless freight elevator construction parameter list (≤1600kg)

产品名称 Product name	型号 Model	额定载重量 Rated carrying (kg)	额定速度 Rated speed (m/s)	轿厢尺寸 Car size (宽A×深B) (WidthA×depthB) (mm)	开门宽度J Door open width (mm)	井道尺寸 Hoistway size (宽C×深D) (WidthC×depthD) (mm)	底坑深度 PH Pit depth (mm)	顶层高 QH Top height (mm)	作用力 Force (kN)							
									R1	R2	R3	R4	R5	R6	R7	
无机房货梯	THJW	1000	1.0	1300x1750	1100	2200x2250	1700	4300	58	30	90	70	58	/	5	
无机房货梯	THJW	1000	1.5	1300x1750	1100	2200x2250	1700	4300	58	30	90	70	58	/	5	
无机房货梯	THJW	1000	1.75	1300x1750	1100	2200x2250	1800	4300	58	30	90	70	58	/	5	
无机房货梯	THJW	1600	1.0	1500x2250	1500	2700x2700	1700	4500	60	48	67	100	97	10	5	
无机房货梯	THJW	1600	1.5	1500x2250	1500	2700x2700	1800	4600	60	48	67	100	97	10	5	
无机房货梯	THJW	1600	1.75	1500x2250	1500	2700x2700	1800	4600	60	48	67	100	97	10	5	

### 无机房货梯 (1600kg-3000kg) 土建图

Machine roomless freight elevator construction layout drawing (1600kg-3000kg)



### 无机房货梯 (1600kg-3000kg) 土建参数表

Machine roomless freight elevator construction parameter list (1600kg-3000kg)

产品名称 Product name	型号 Model	额定载重量 Rated carrying (kg)	额定速度 Rated speed (m/s)	轿厢尺寸 Car size (宽A×深B) (WidthA×depthB) (mm)	开门宽度J Door open width (mm)	井道尺寸 Hoistway size (宽C×深D) (WidthC×depthD) (mm)	底坑深度 PH Pit depth (mm)	顶层高 QH Top height (mm)	作用力 Force (kN)							
									R1	R2	R3	R4	R5	R6	R7	
无机房货梯	THJW	1600	0.5	1500x2250	1500(中分双折)	2800x2750	1500	4800	61	61	64	76	80	35	7	
无机房货梯	THJW	1600	1.0	1500x2250	1500(中分双折)	2800x2750	1500	4800	61	61	64	76	80	35	7	
无机房货梯	THJW	2000	0.5	1500x2700	1500(中分双折)	2700x3200	1500	4800	75	75	76	112	95	40	7	
无机房货梯	THJW	2000	1.0	1500x2700	1500(中分双折)	2700x3200	1500	4800	75	75	76	112	95	40	7	
无机房货梯	THJW	3000	0.5	2200x2600	2200(中分双折)	3700x3100	1500	5400	127	75	120	80	138	18	7	
无机房货梯	THJW	3000	1.0	2200x2600	2200(中分双折)	3700x3100	1500	5400	127	75	120	80	138	18	7	



# Elevator functions table

## 电梯功能列表

标准功能 Standard function		
序号 No.	功能 Function	说明 Description
1	全集选控制 Total collective choice	在自动状态或司机状态, 电梯在运行过程中, 在响应轿内指令信号的同时, 自动响应上下召唤指令顺向信号, 不响应反向召唤信号, 任何层楼的乘客, 都可以通过登记上下召唤信号召唤电梯。 In automatic running or attendant state, this function enables the elevator to respond both car calls and hall calls of same directions. Passengers at any service floor can call the elevator by pressing the up call button and down call button.
2	司机操作 Attendant Operation	电梯选择司机操作时, 电梯不会自动关门。当有外呼登记时, 蜂鸣器鸣叫, 提醒司机有人呼梯。司机按下关门按钮, 电梯便关门启动运行。 When the elevator is operated by an attendant, it will not close the door automatically. When there is outer call registration, the buzzer will sound to remind the attendant that someone is calling the elevator. After the attendant presses the closed button, the elevator will close the door and work.
3	司机定向 Attendant orientation	电梯选择司机操作时, 司机在关门的过程中, 可通过操作改变原来的方向, 使电梯按照司机的要求方向关门运行。 When the elevator is operated by an attendant, and when the driver closes the door, he/she can select the way to change the original moving direction of the elevator to make the elevator move under the attendant intention.
4	司机专用功能 (司机 + 直驶) Attendant's special function (driver & straight driving)	电梯司机选择司机操作的同时打下了直驶开关, 则电梯只根据轿内指令登记运行。 If the attendant operation and straight driving switches are active synchronously, the elevator will move depending on car instructions.
5	消防撤退运行 Fire evacuation operation	当消防开关接通后, 不管电梯处于何种运行状态 (向上或向下, 有司机或无司机, 启动或是减速或是稳速运行) 和何种位置, 均使电梯立即切断厅外召唤信号和轿内指令信号回路, 使电梯制动减速就近停车平层; 若不在消防撤退层, 则停车平层后不开门立即驶往消防撤退层, 到消防撤退层后开门到位后保持不再自动关门。 After receiving a fire emergency signal, the elevator does not respond to any call but directly runs to the fire emergency floor and waits.
6	检修时的上、下操作 'Up', 'Down', operations during inspection	检修运行时, 上、下召唤指令信号不再登记, 按住轿顶的上行或下行按钮点动运行。 When an elevator is under inspection, the 'up', 'down' signals will not be registered, instead, the 'up' and 'down' buttons within the top of the car can be operated to control the movement of the elevator.
7	检修开门、关门 Door opening and closing during inspection time	检修时同时按上行或下行按钮, 且电梯在门区, 则系统发出强制开门指令。检修状态下, 开门按钮、关门按钮操作无效。 During the inspection process, if the 'up' and 'down' buttons are pressed simultaneously. And the elevator is within the 'door frame range' on certain floor, the system will emit signals to force the door open. Door closing and opening buttons would not take effect during inspection time.
8	慢速自救运行 Low-speed self-rescue operation	当电梯处于非检修状态下, 且未停在平层区。此时只要符合运行的安全要求, 电梯将自动以慢速运行至平层区, 然后开门。 When the elevator is in non-inspection state and stops at non-leveling area, the elevator automatically runs to the leveling area at low speed once the safety requirements are met, and then opens the door.
9	到站自动开门 Automatic door opening after arriving	轿厢平层后, 电梯自动开门。 When the car arrives at its location and is lined up to the destination floor, the door will be opened automatically.

标准功能 Standard function		
序号 No.	功能 Function	说明 Description
10	自动延时关门 Automatic door closing delay	无司机自动运行时, 电梯到站自动开门到位后, 延时相应时间自动关门。 When there is no attendant operating, and the elevator arrives at its location and opens its door, the door will be kept open for a corresponding time delay period, and then shut again.
11	本层厅外开门 Out hall door opening	如本层召唤按钮被按下, 轿门自动打开, 如按钮不松开, 门保持打开。 The car door opens automatically if calling button in this floor is pressed. And the elevator will not close until the button is released.
12	关门按钮提前关门 Door pre-close by the door close button	自动状态下, 在开门到位后, 可按关门按钮使门立即关门。 After door opens completely in automatic running state, the door will be closed immediately after pressing door closing button.
13	开门按钮开门 Opening the door by using the door opening button	电梯停在门区时, 可按开门按钮使门重新打开。 When the elevator is stopped within the 'door frame range', the 'open door' button can be used to open the door again.
14	重复关门 Repeat door close	当系统发出关门信号一定时间内尚未到位, 则系统反向开门, 然后再试一次关门。如连续 5 次不能关门到位, 则开门等候修理。 If the door lock is not applied after the elevator performs door close for a certain time, the elevator automatically opens the door and then closes the door again. As if the door does not close completely at the fifth time, then open the door and wait for repair.
15	轿厢到站铃 Car arrival bell	电梯按照乘客的要求到达目的楼层后, 从轿顶板发出提示信号。 After the elevator arrives at the destination floor, the SSL-7020 gives a prompt tone.
16	轿厢内照明、风扇自动节能 Auto energy saving operation with illumination and ventilation	在电梯超过设定时间内无人用梯, 系统会自动切断轿内照明、风扇的电源, 而一旦有人按下任一轿内或厅外召唤, 电梯立即投入正常使用。 When the elevator has been spared over a certain time. The system will automatically cut off power of the illumination and ventilation fan in the car. However, all these functions will be re-employed as soon as someone presses any in-hall calling comes up, the elevator will respond instantly.
17	自动返基站 Auto returning to the base station	电梯完成最后一个指令或召唤, 停在该楼层, 当持续一定时间 (可设定) 无召唤要求, 电梯会自动返回基站, 在返基站过程中, 若有任一指令或召唤, 电梯立即响应。 In automatic running state, the elevator automatically returns to the base station and waits for passengers if there is no car call or hall call within the set time. When there is an instruction or calling, the elevator will respond immediately.
18	运行次数、时间记录 Operation frequency and duration record	可记录电梯实际运行次数、运行小时。 It can actual record actual operating time and hours of elevators.



标准功能 Standard function		
序号 No.	功能 Function	说明 Description
19	锁梯、检修状态显示 Elevator lock-down & inspection status display	电梯处于锁梯状态时，在厅外按外呼按钮时显示板显示 STOP；电梯处于检修状态时，厅外外呼按钮显示板显示 PAKR 及当前轿厢所处的楼层位置。 When elevators are under maintenance or are locked down from service, and the calling buttons in the halls are pressed requesting for service, the display board will show 'STOP' or 'PARK' to indicate the current status of the elevators and give out information on the location of the elevators.
20	锁梯服务 Elevator lock service	将基站召唤按钮盒中的钥匙开关旋至停梯位置，电梯便停止工作，同时自动切断轿厢照明。上班时，钥匙开关旋至运行位置，电梯开始工作。 In automatic running state, when the elevator lock switch reaches stop position, the elevator cancels all registered calls, returns to the elevator lock floor, stops running, and turns off the lamp and fan in the car; reaches running position, the elevator starts working.
21	光幕保护 Light curtain protection	为了提高关门过程中的安全保护性，系统提供光幕判断使能选择。当关门过程中，门的中间有东西阻挡时，光幕保护动作，电梯转为开门。但光幕保护在消防操作时不起作用。 In order to improve security protection the process of closing, the system provides judges curtains enable select. If the door is blocked by stuff during door close, the light curtain acts and the elevator opens the door. This function is invalid in fire emergency state.
22	超载保护 Overload protection	当轿厢负载超过额定负载时，电梯不能关门，同时蜂鸣器鸣响。当负载降至额定负载以下时，电梯才能恢复正常运行。 When the car load exceeds the rated elevator load, the elevator alarms and stops running, on when the point lower than the maximum loading threshold, the elevator will return to its normal operation.
23	逆向运行保护 Converse movement protection	当系统检测到电梯连续 3 秒钟运行方向与指令方向不一致时，就会立即停止一切动作，并故障报警，直至检修完毕或控制器重新上电为止。 Whenever the system inspects a converse movement of an elevator as contradicting to the signaling direction that lasts more than 3 seconds. The elevator will stop all of its operations. And the fault alarm will be sounded, until the problem is fixed or the control panel is recharged again.
24	防打滑保护 Protecting from rope slippage	当系统检测到钢丝绳打滑就会立即停止一切动作，并故障报警，直至检修完毕或控制器重新上电为止。 When the system inspects a slipping slope, the elevator will stop all of its operations immediately, and the fault alarm will be sounded, until the problem is fixed or the control panel is recharged again.
25	防终端越程保护 Protection of anti-slipping of terminal program	电梯在上下端站安装了限位开关，电梯上下行时如正常减速失效，强迫换速开关动作，强制减速停止，如继续越层，上下端站开关动作，主回路和控制回路全部失电，轿厢立即停止。 Every elevator is installed with limit switches on its upper and lower terminal landing. When elevators lose control in deceleration, the slow down switch will be forced to open, and the elevator will be obstructed to decelerate and stop. But if the elevator continues to traveling, the terminal landing switches start to work, the main circuit and the control circuit will be power off and the elevator will stop immediately.
26	层门锁短接保护 Door locker jumper protection	在电梯开门到位时，若系统检测到门锁接触器接通，则故障报警，并取消快车运行，直至检修完毕或控制器重新上电为止。 When the elevator arrives at its location, if the system inspects that the door locking contactor is switched on, the fault alarm will sound, and the high-speed operation will be cancelled until the maintenance procedures are finished or the controller is recharged.

标准功能 Standard function		
序号 No.	功能 Function	说明 Description
27	调速器故障保护 Timing device fault protection	系统检测到变频调速器故障信号立即停车，并故障报警，直至检修完毕或控制器重新上电为止。 When system inspects fault signals with the timing device, the elevator will stop working and the fault alarm will sound, the high-speed operation will be cancelled until the maintenance procedures are finished or the controller is recharged.
28	错误指令取消功能 Cancellation of wrong calls	该功能是指误登记轿厢内指令之后，可通过连续轻触 2 次该层内指令按钮以消除轿内登记的功能。 This function refers to the cancellation of a falsely registered order/calling; this can be done through continuously pressing the button twice.
29	变频驱动 Frequency inverter driver	精确调整电动机转速，令电梯启动、运行、停止时的速度曲线平稳、圆滑，获得良好的舒适感。 Precisely adjust the rotation speed of the door motor so that the elevator can have a smooth speed curve when it startup operating, stopping processes and the passengers can feel comfortable.
30	门机变频驱动 Door operator inverter driver	精确调整电动机转速，使门机的开启、关闭更轻柔灵敏。 Precisely adjust the rotate speed of the motor so that the gate would open and close smoothly and swiftly.
31	应急照明 Emergency lighting	停电时，自动点亮轿内应急照明。 During a power off period, the illumination in the car will be lightened automatically.
32	电机过热保护 Motor over heat protection	电机装有温度检测元件，一旦电梯温度过，电梯停止运行。 Motor is equipped with temperature sensor element. Once the elevator is overheated the elevator will stop.
33	开门时间设定功能 Door open time setting	系统根据设定的时间自动判别召唤开门、指令开门、门保护开门、延时开门等不同的保持开门时间。 The system automatically determines different door open time for door open for call, command, protection, or delay according to the set door open holding time.
34	加速段截车响应 Response at acceleration	系统允许在电梯加速的过程中截车，自动响应相应的服务楼层指令。 The system allows the elevator to automatically respond to calls from the service floors during acceleration.
35	换站停靠功能 Landing at another floor	如果电梯在持续开门超过开门保护时间后，开门到位信号仍然无效，电梯就会变成关门状态，并在门关闭后，自动登记下一个层站运行，提示 E55 故障。 If the door open time exceeds the door open protection time and the door open limit signal is still inactive, the elevator closes the door and then automatically runs to the next landing floor. The system reports fault E55.
36	待机定期自检功能 Periodic self-check in standby state	系统能在设置的时间内，定期对电梯进行自检并记录异常信息，保证电梯的可靠运行，提高安全性。 The systems perform self-check on the elevator periodically and records error information within the set time, ensuring reliability and security of elevator running.



标准功能 Standard function		
序号 No.	功能 Function	说明 Description
37	启动转矩自动补偿 Automatic startup torque compensation	电梯在运行前,自动根据轿厢当前载重的情况,进行启动补偿,达到平滑启动效果,提高电梯舒适感。 The system automatically implements startup torque compensation based on the current car load,achieving smooth startup and improving the riding comfort.
38	直接停靠 Direct parking	以距离为原则,自动运算生成运行曲线,没有爬行,直接停靠平层位置。 The system automatically calculates and generates the running curves based on the distance,enabling the elevator to directly stop at the leveling position without creeping.
39	最佳曲线自动生成 Automatic generation of optimum curve	以距离为原则,自动运算出最适合人机功能原理的速度曲线,没有个数的限制,而且不受短楼层的限制。 The system automatically calculates the optimum speed curve compliant with the human-machine function principle based on the distance,without being limited by the number of curves or short floor.
40	暂停服务输出功能 Service suspension output function	当电梯暂停服务时,相应端子会输出暂停服务信号。 When the elevator cannot respond to hall calls,the corresponding terminal outputs the service suspension signal.
41	电梯异常保护 Elevator abnormality protection	系统具有强大的异常保护功能,及时地对异常进行分析处理,提高电梯安全性。 The system has the powerful elevator abnormality protection, it can analysis and process the abnormality timely,thereby improve the security of elevator.
42	惯量识别功能 Inertia identification	系统能在启动时自动识别电梯系统惯量大小,启动补偿,让电梯运行更加平缓。 The system automatically identifies the elevator inertia at startup and produces compensation,achieving smooth running.
43	飞车禁止功能 Runaway prevention	电梯实时检测电梯运行的状态,若出现超速现象,立即停止运行,制动电梯。 The system detects the running state of the elevator in real time.If the elevator speed exceeds the limit,the system immediately stops running of the elevator.
44	优先放人功能 Passenger unloading first upon fault	一体化控制系统自动对故障类别分级,满足安全运行条件的情况,优先返平层开门放人。 The system automatically classes the fault levels.If the safety running conditions are met,the elevator first runs to the leveling position to unload passengers.
45	空闲门机节能 Energy-saving of idle door machine	电梯系统在轿厢熄灯后,不继续输出关门指令,减少了门机的耗电。 After the car lamp is turned off,the system does not output the door close command,which reduces power consumption of the door operator.
46	满载和直驶 Full-load and direct running	电梯满载时,只应答轿内指令而不应答厅外召唤指令,自动/司机状态下均有效。 When the car is full-loaded in automatic/attendant running state,the elevator does not respond to hall calls from the passing floors.it only responses to the signals emitted from within the elevator.

标准功能 Standard function		
序号 No.	功能 Function	说明 Description
47	满载指示功能 Full-load indication	满载时外召显示满载状态,电梯直驶内召唤楼层。 When the elevator is full-loaded, the condition will be displayed on the out call board and the elevator runs directly to the determined floors of inner call.
48	微动再平层功能 Micro-leveling	电梯停靠在层站,由于载重变化,会造成平层波动,地坎不平,给人员或者货物带来不便,这时系统允许在开着门的状态下以再平层速度运行到平层位置。 After landing at a floor,the elevator may move upward or downward due to the load change and the car door is not aligned with the ground,which is inconvenient for in and out of passengers and goods.In this case,the system allows the elevator to run to the leveling position in the door open state at the leveling speed.
49	提前开门功能 Door pre-open	电梯自动运行情况下,停车过程中速度小于0.2m/s,并且在门区信号有效的情况下,通过封门接触器短接门锁信号,然后提前开门,从而使电梯效率达到最高。 During automatic running state, when the elevator speed is under 0.2 m/s and the door zone signal is active, the system short connects the door lock by door sealing contactor and outputs the door open signal, implementing door pre-open.This improves the elevator use efficiency.
50	停电应急装置 Power off emergency device	在电梯停电时,系统自动切换到后备电源,实现低速就近平层开门放客。 The system swifts to backup power once the working power is off, which realizes door open in nearest floor.
51	轿内风扇控制开关 Control switch in car fan	用户可以根据实际使用环境、季节来控制轿内风扇的开启与关闭。操纵箱标配风扇开关。 The user can open or close the fan according to seasons and actual conditions. The fan switch is equipped in operating panel standardly.
52	停电运行方向自识别 Running direction self-identification at power failure	当供电系统断开后,系统能自动识别当前轿厢负载的情况,选择运行方向。 When the power supply is interrupted,the system can automatically identify the current car load and determine the running direction
53	旁路检测功能 The by-pass detection function	为了维护层门和轿门的触点(含门锁触点),在控制柜上增加了旁路装置,当旁路装置出发时,电梯只能检修运行或紧急电动运行,且在运行过程中电梯会触发轿底警铃的闪光及声音提示。 In order to preserve the contact of the hall door and the car door (including the door locks contact), add a by-pass device to the control cabinet, when the by-pass is triggered, the elevator can only maintenance operation or repair the emergency electric operation, and the elevator will be a flashing signal and alerting.
54	轿厢意外移动保护装置 The car accident mobile protection device	在层门未被锁住且轿门未被关闭的情况下,由于轿厢安全运行所依赖的驱动主机或驱动控制系统的任意单一元件失效引起的轿厢离开层站的意外移动,电梯能防止其移动。 In the layer of hall door and the car door open, the elevator can prevent the moving due to the failure of any single original of the driving host or driver control system that the elevator car is dependent on for the safe operation of the cage.
55	门锁短接检测功能 The door lock short-connect detection function	轿厢每次开门均能快速进行一次门锁短接检测,若轿门或者当前楼层的层门被短接时,电梯报故障且不能运行。 Each elevator door can be locked quickly for a quick check. If the car door or the hall door is short-connected, the elevator report fails and unable to operate.
56	轿厢空气净化系统 Car air purification system	轿厢配置负离子横流风扇,提高轿内空气的负离子浓度,清新空气、消毒杀菌、消除烟尘、中和高压静电,有效减少高压静电对人体的伤害。 The car is equipped with negative ion cross flow fan to improve the negative ion concentration of the air in the car clean the air, disinfect and sterilize, eliminate smoke and dust, neutralize high-voltage static electricity, and effectively reduce the harm of high-voltage static electricity to human body.



选配功能 Optional function		
序号 No.	功能 Function	说明 Description
1	电子远程管家 (4G) Electronic remote steward(4G)	基于申龙电梯的电子远程管家功能,通过IE客户端,用户可查看电梯楼层位置、运行方向、故障状态等,可通过移动终端或者IE客户端接收故障短信提醒、维保到期短信提醒等。 Based on the electronic remote housekeeper function of Seloon elevator, users can view the elevator floor position, running direction, fault status, etc. through IE client, and receive fault SMS reminder and maintenance expiration SMS reminder through mobile terminal or IE client.
2	防捣乱 Anti-disturbance function	系统自动判别轿内乘客数量与轿内登记指令,如果登记了过多的轿内指令,则系统认为属于捣乱状态,取消所有的轿内指令,需要重新登记正确的轿内指令。 The system automatically determine the number of passengers and registered calling in the car,if the registered callings in the car are too many, the system considered it disturbance state, and then it cancels all registered callings from the car. The passengers need to register correct instructions again.
3	独立运行 Independent running	电梯不接受外界召唤,手动关门。群控时脱离群控系统独立运行。 The elevator does not respond to any out call,and the door needs to be closed manually.In the case of group control,the elevator runs independently out of the group control system.
4	并联运行 Parallel running	支持8台以内电梯并联运行,可选择多种调度算法,最大化满足客户需求。 The system supports parallel control of two to eight elevators and provides multiple scheduling algorithms to meet requirements of different customers.
5	分散待梯 Dispersed waiting	并联时,各台电梯分别停在不同的楼层待客。 In parallel/group control,the elevators can wait at different floors.
6	小区智能管理接口(BA接口) Interface for intelligent residential management (Interface of BA)	方便的小区智能管理接口,实现小区内电梯多方面状态监控以及实现远程监控。 The system provides an interface for intelligent residential management to perform remote monitoring in the state of elevators in the residential district.
7	远程呼救功能 Remote call for help	通过远程呼救模块(SIM卡客户自理)可实现与手机(维保、物业等)或者固定电话之间的通话操作,实现呼救功能。 It's able to realize the call operation with mobile phone (maintenance person, property, etc.) or fixed telephone through the remote call module (SIM card provided by customer) and realize the call function.

选配功能 Optional function		
序号 No.	功能 Function	说明 Description
8	电子远程管家(以太网) Electronic remote butler(Ethernet)	可进行电梯数据采集、视频采集、语音对讲及以太网(模块需接入有线互联网)无线通信。可将采集到的本地设备数据(如电梯运行状态数据)、视频信息通过无线网络传送到公司电梯物联网系统指定服务器;同时可通过电子远程管家产品 IOT-TIM2 模块接入电梯五方对讲系统,实现远程语音对讲。用户可通过访问 WEB 服务器对电梯进行状态检测和故障分析。 Elevator data collection, Video acquisition, Voice intercom and Ethernet wireless communication (Module be connected wired Internet) can be realized. Local equipment data(as elevator running condition date) and video information be transfered to specified server of elevator internet of Things by wireless network; Meanwhile, remote voice intercom can be realized by connecting IOT-TIM2 module of electronic remote butler to elevator intercom system. User can manage condition monitoring and fault analysis by visiting WEB server.
9	电子远程管家(传媒运营) Electronic remote steward(Media operation)	在电子远程管家(以太网/3G)功能的基础上,传媒运营方案还具备广告投放、紧急呼叫、楼层信息显示等功能,支持广告本地更新及远程下发。 Besides electronic remote butler(Ethernet/3G), media operation also combines advertising, emergency call, floor indicating and local advertismen update and remote distributing.
10	轿内按钮双色显示灯 Duplex color light for car button	可实现轿内按钮双色显示,待机时为白光显示,应答时为可选蓝光或者红光显示。 Ensure duplex color display in car; white for standby, blue or red for response.
11	无线五方对讲功能(调频) Wireless 5-terminal intercom (FM)	机房与监控中心之间无需布线,直接采用数字技术,实现监控中心和多部电梯之间进行通话。 No wiring between machine room and monitoring center, intercom between monitoring center and elevators be realized directly by digital technology.
12	数字视频监控功能 Digital video monitoring	采用高清数字摄像头,适配监控中心 RJ45 接口,通过网络传输实现监控数据的快速传输,明显提升电梯轿厢监控效果,画面更加清晰,响应更加迅速。 Connect high-definition digital camera to interface RJ45 of monitoring center, realizing rapid transporting for monitoring data through network transmission, which obviously improves car monitoring result, receiving rapid response and showing more clearly pictures.
13	停电应急电动松闸功能 Emergency electric brake release while power off	通过备用电能让电梯慢慢移动至开门区,达到人工快速、方便救援的功能(电梯须配有封星接触器)。 Actuated by Backup battery, elevator moves slowly to door area, realizing quick and easy rescue function (Seal star contactor shall be equipped).
14	电梯 IC 卡系统(刷卡使用电梯) IC card system (Use elevator by swiping card)	可用于厅内,实现刷卡后到达任意楼层,亦可用于厅外,实现刷卡后进入电梯;无论厅内和厅外,都具备按次收费功能;支持消防联动功能,但不支持密码键盘,指纹识别,访客联动和联网功能。 To enter into the car and reach any of the floors by swiping IC card; Pay-per-view function can be set both in car and out of car; Fire-fighting linkage function can be realized, no functions of password keyboard, fingerprint identification, visitors linkage and networking.





选配功能 Optional function		
序号 No.	功能 Function	说明 Description
15	分层控制电梯 IC 卡系统 Hierarchical control IC card system	用于厅内, 具备刷卡后分层控制功能, 持卡人刷卡后按钮自动点亮, 直接到达指定楼层; 可做全通卡, 多层卡功能; 支持计时计次收费功能、联网功能和消防联动功能。(可选装密码键盘, 指纹识别和访客联动功能模块) Hierarchical control function be applied in car, button light up after swiping IC card, then car moves to designated floor; One-Card, multi-floor control, Pay-per-view, networking and fire-fighting linkage functions can be realized. (Password keyboard, fingerprint identification and visitors linkage functions can be applied as option)
16	限时限次电梯 IC 卡控制系统 Time and number limited IC card system	厅外刷卡后进入电梯, 厅内到达任意楼层, 但不能分层控制; 支持计时计次收费功能、联网功能和消防联动功能。(可选装密码键盘, 指纹识别和访客联动功能模块) Enter into car and get to any of the floors by wiping IC card, no hierarchical control; Pay-per-view, networking and fire-fighting linkage functions can be realized. (Password keyboard, fingerprint identification and visitors linkage functions can be applied as option)
17	强迫关门功能 Forced door close	当开通强迫关门功能后, 由于光幕或安全触板动作使电梯超过设定时间无法关门时, 电梯会进入强迫关门状态, 慢速关门, 并发出提示音。 After active the force door close function, when the door fails to close within the set time due to the action of the light curtain or safety edge, the elevator enters the forced door close state, closes the door slowly, and gives a prompt tone.
18	无机房平层灯 Machine roomless leveling light	无机房手动松闸, 轿厢移动至平层位置时, 平层指示灯亮, 指示轿厢处于平层位置。 Machine roomless manual brake releasing, the car moves to the leveling position, the indicator light of leveling works to indicate the car be in leveling floor.
19	开门保持功能 Door open holding	在自动运行状态下, 在轿厢内按开门保持按钮, 电梯延时关门, 方便货物运输等需求。 In automatic running state, passengers can press the door open button in the car to delay door close in order to move in and out goods.
20	语音报站功能 Voice announcement	电梯运行过程中自动向乘客播报运行方向及即将到达的层站等信息, 同时电梯发生故障时向乘客循环播报安抚语音。 It automatically broadcasts the operation direction and the arriving landing during the operation of elevator, and at the same time, it broadcasts the comfort voice to the passengers when fault happens to elevator
21	地震功能 Seismic function	当检测到地震信号时地震检测装置动作, 电梯就近停靠、停止服务, 直到地震信号消失, 人工复位后电梯才恢复正常。 when the seismic signal is detected, the seismic detection device acts and the elevator stops at nearest floor until the seismic signal disappears and the elevator returns to normal after manual reset.
22	手机呼梯功能 Car air purification system	配置电梯4G物联网系统, 通过“预约乘梯助手”微信小程序、乘梯二维码、物业审核即可实现手机预约呼梯功能。实现无接触乘梯; 出门前、进楼前抢先进行呼梯登记, 减少乘梯等待时间。 The car is equipped with anion cross flow fan to improve the anion concentration of the air, clean the air, disinfect and sterilize, eliminate smoke and dust, neutralize high-voltage static electricity, and effectively reduces the harm of high-voltage static electricity to human body.
23	非接触感应按钮呼梯功能 Non-contact induction button calling function	人机界面配置非接触感应按钮可实现无接触呼梯功能。 The Human-Machine interface configured with non-contact induction button to realize non-contact calling function.
24	轿内语音呼梯功能 Voice call function in car	轿内配置语音呼梯模块, 只需一句简单呼梯指令, 系统就可以识别出呼梯楼层, 无需触摸实体按钮, 消除病毒和细菌感染的风险。 The car is equipped with voice call module. Only a simple call instruction is needed to identify the calling floor. It is unnecessary to touch the solid button to eliminate the risk of virus and bacterial infection.
25	模拟信号传输器功能 Analog signal transmitter function	配置模拟信号传输器即可传输各类AHD/TVI/CVI/CVBS高清模拟信号, 无需在随行电缆中铺设模拟信号线缆, 确保信号传输稳定及随行电缆使用寿命。 It transmits all kinds of AHD/TVI/CVI/CVBS analog signals without laying analog signal cables in travelling cable to ensure the stability of signal transmission and the service life of travelling cable.
26	数字信号传输器功能 Digital signal transmitter function	配置数字信号传输器即可传输各类(CAT5、CAT6)网络数字信号, 无需在随行电缆中铺设数字信号网线, 确保信号传输稳定及随行电缆使用寿命。 It transmits all kinds of CAT5, CAT6 network digital signals without laying digital signal network cable in travelling cable to ensure the stability of signal transmission and the service life of travelling cable.

## 用心服务, 创造价值

努力成为超越客户期待、值得客户信赖的合作伙伴。

凭借精湛的技术、丰富的管理经验以及优质的服务, 对所提供的产品进行科学的保养和严格的质量监控。选择申龙电梯, 就是选择一套完整的服务体系。

- 通过认证的安裝团队, 高效而标准的安裝流程, 保证安裝品质。
- 针对客户需求量身定制的维保方案, 科学而规范。
- 客服中心24小时提供咨询服务, 快捷响应。
- 基于物联网技术的实时远程监控, 快速诊断, 维保人员快速上门。

